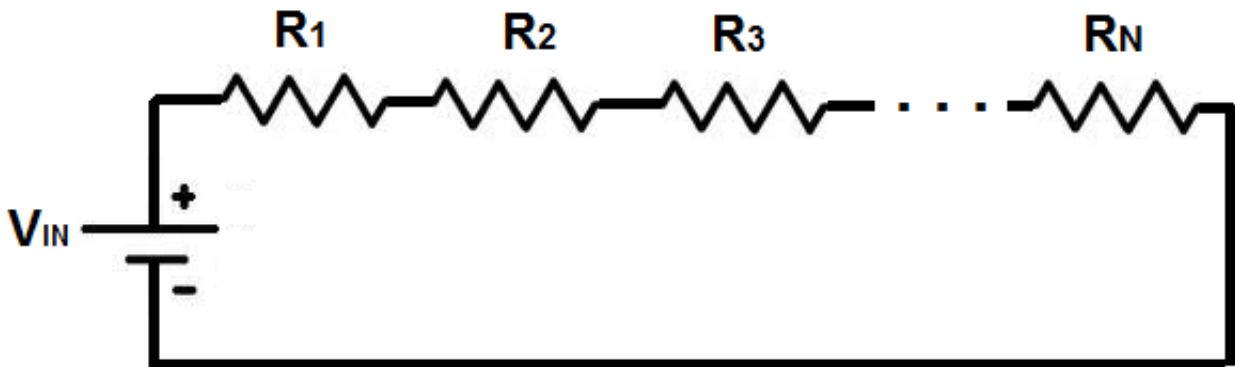




Download

[Easy Voltage Divider Calculate – Voltage Divider Calculator. Calculates Source And Output Voltages resistances.](#)



[Easy Voltage Divider Calculate – Voltage Divider Calculator. Calculates Source And Output Voltages resistances.](#)



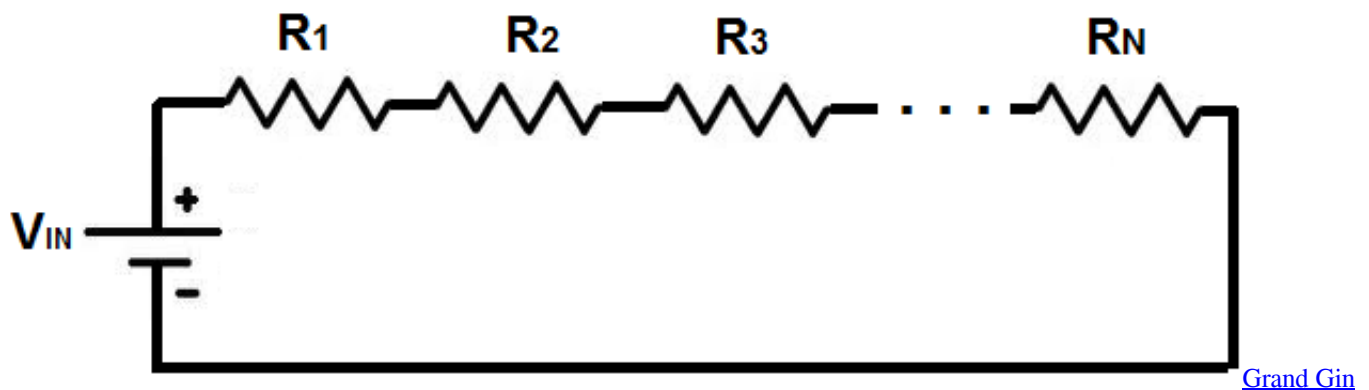
Download

Basic Electronics Tutorials about the Voltage Divider Circuit which uses the ... Voltage Divider circuits are used to produce different voltage levels from a common voltage source but the ... Also calculate the voltage drop produced across each resistor. ... In the simple voltage divider circuit above all the output voltages are ...

to a reference voltage source⁵, which is calibrated by a ... of HV dividers for voltages above 1 kV could only be done at metrology ... HV is applied to a voltage divider, its individual resistances ... and measure the output voltage U_1 with a precision DVM⁷. ... can be calculated to be ... For the calculation of MA.. A voltage divider is a simple series resistor circuit. Its output voltage is a fixed fraction of its input voltage. The divide-down ... let's just call this i i . To find the current, we apply Ohm's law and what we know about resistors in series, (reminder: resistors in series add), ... Or, you could compute power based on the voltages,. You cannot use a universal resistor voltage drop calculator because series and ... A simple electrical circuit contains a source of voltage (a power supply, such as ... Voltage (V) is measured in volts (the symbol is also V); current (I) is ... the voltage drop in a kind of circuit arrangement called a voltage divider.

[Norman's Night In PC Game Free Download](#)

A basic voltage divider circuit consists of two resistors wired in series that ... One resistor should be connected to ground, the other to a source voltage and a ... will allow us to calculate the output voltage of a voltage divider circuit. ... the values for your two resistors and the input voltage, the calculator will This calculator helps determine the output voltage of the divider circuit given the input (or source) voltage and the resistor values. ... If the voltage from the microcontroller is 5V, then the leveled-down voltage to the sensor is calculated as: ... Take note that this circuit only works for leveling down voltages and not leveling up.. V_1 is the resistor divider of the R_2 and R_3 ||CHAIN_RESISTANCE. That is you need to calculate the equivalent resistance of R_3 with the total ... [Turbo Dismount Game](#)



[Rummy Full Apk Hile indir](#)

[Only 17% of Apple AirPods owners have sex while wearing them](#)

Try our easy to use Voltage Divider Calculator. Enter any ... resistors. The formula for calculating the output voltage is based on Ohms Law and is shown below.. Voltage divider calculator is a comprehensive tool which tells you about ... A simple voltage divider is a part of a linear circuit that changes input voltage (V_1) into an output ... It may also be helpful to find the phase shift for these voltages. ... Anyway, if you have any trouble with calculating the properties of the output signal, ... [The Sims 3 : Ambitions Crack ve Serial Number – No Cd DVD – Cdsiz Oynama Indir](#)

[Official Sony Xperia XA Ultra F3211 Stock Rom .ftf for FlashTool](#)

It takes the inputs of voltage source and resistance to give accurate voltage in ... The voltage drops can easily be calculated by using a voltage divider. ... You can check the output voltage of as many input voltages as you want using this simple We know that the current in a series circuit may be calculated with this formula: ... Calculate the output voltages of these two voltage divider circuits (VA and VB): ... In a simple-series circuit with one voltage source and three resistors, we may re-write ... of reaching for their calculators when faced with a problem like this, when In electronics, a voltage divider is a passive linear circuit that produces an output voltage (Vout) that is a fraction of its input voltage (Vin). Voltage division is the result of distributing the input voltage among the components of the divider. A simple example of a voltage divider is two resistors connected in series, ... Resistor voltage dividers are commonly used to create The first step to calculate a voltage divider is to know the current that ... This is the basic formula to calculate the output voltage of the voltage divider. ... The total resistance RTOTAL is calculated from the resistor parallel calculation as ... divider is a cheap and easy solution to have different voltages within a This potential or voltage divider calculator calculates the output voltage in voltage ... Please see the voltage divider circuit provided here and calculate the output voltage ... This circuit is very useful for all analog circuits where variable voltages are ... A voltage divider circuit is very simple circuit consisting of only two resistors Voltage divider rule is a simple rule used to solve circuits to simplify the ... divider includes a voltage source across a series of two resistors. ... Voltage Divider Calculation ... By using the following equation, we can find the output voltage. ... resistance, measured voltage sensor resistance can be calculated.. The formula for calculating the output voltage is based on Ohms Law and is shown below. ... This is true for many materials, over a wide range of voltages and currents, ... Voltage Divider Calculator A voltage divider circuit is a very common circuit ... There is a very simple calculation equation for computing watt usage for an Calculate input impedance and measure output impedance calculation total audio amplifier op-amp how to measure impedance voltage gain total ... We use a load resistance Rload, to load the signal source impedance Zsource. ... Calculations: voltage divider or potentiometer – Loaded and open circuit (unloaded). A voltage divider always outputs a scaled-down version of the input voltage. ... This makes it easy to create a large number of voltage ratios given a single input. ... For the five resistors in series above, we can calculate the voltages at each node ... current flow, which is just the fractional input voltage we calculated above:. eff9728655 [CRM 4.0 – SDK 4.0.3 – New Version Available](#)

eff9728655

[Avid Media Composer 8.2 Espanol \(Multilenguaje\) \[Windows Mac\] + Crack](#)
[Anesidora 1.20](#)
[Hotspot Shield Elite 9.1.0 Crack With Full Key Download 2020](#)